

## SPECIFICATIONS PERFORMANCE

Electrical Rating: AC/DC 50V 0.5A  
 Contact Resistance: 80mΩ Max  
 Insulation Resistance: 500MΩ Min  
 Withstand Volt: 500V AC/minute  
 Operating Temperature: -40°C to +105°C

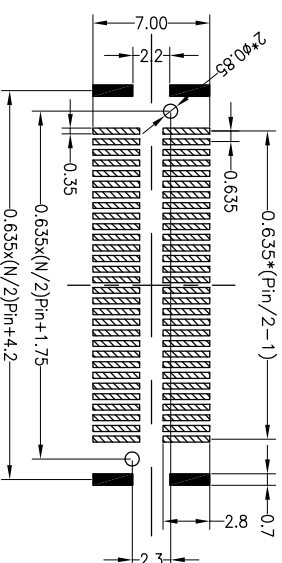
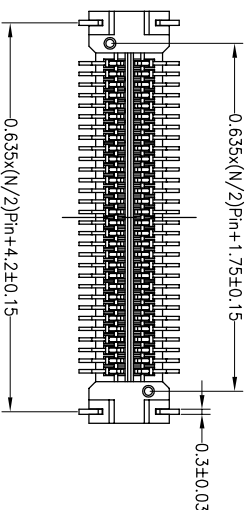
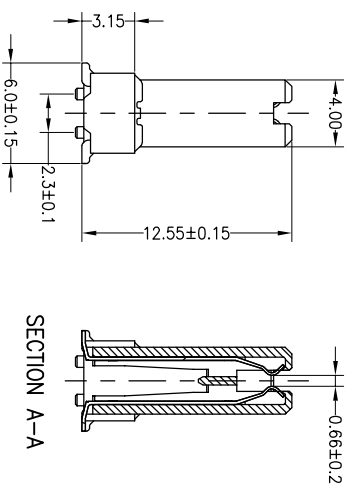
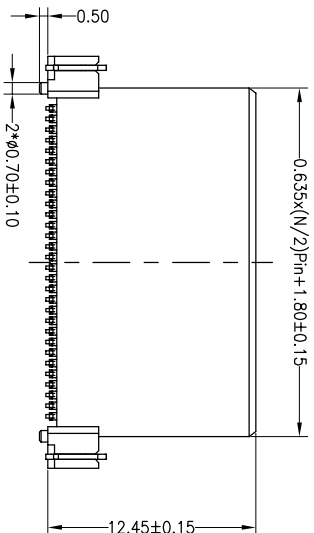
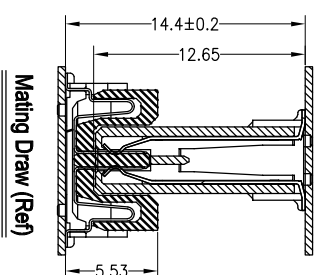
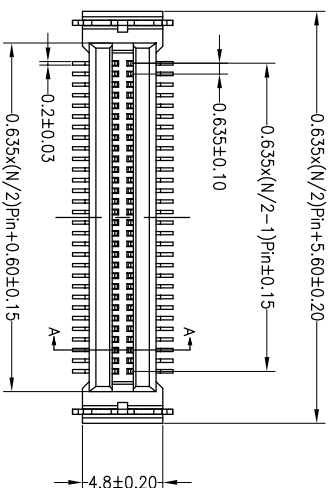
### Material

Contact: Phosphor Bronze Gold-Plated  
 Locating plate: Phosphor Bronze  
 Housing: LCP UL94V0  
 Max. Processing Temp: 230°C for 30-60 seconds  
 (260°C for 5-10 seconds)

## Ordering Information

3724 M XXX 125 XX F X 01

F=Female  
 M=Male  
 No. of pins 20P~100P  
 Plastic Height 125=12.55mm  
 Contact Plating 60/Gold Flash  
 Insulator Material 61:3U" Gold  
 Option 62:5U" Gold  
 63:10U" Gold  
 64:15U" Gold  
 50:1.5U" Gold/Tin  
 51:3U" Gold/Tin  
 Contact Flash 60/Gold  
 61:3U" Gold  
 62:5U" Gold  
 63:10U" Gold  
 64:15U" Gold  
 50:1.5U" Gold/Tin  
 51:3U" Gold/Tin  
 Insulator Material  
 Option D=BK-P46  
 E=BK-P49T  
 F=BK-LCP  
 Packing Material  
 1: Tube  
 R: Reel



P.C.B Layout

**JILIN** 深圳市锦凌电子有限公司  
 SHENZHEN JINLING ELECTRONIC CO.,LTD

Tel: 86-755-2997-5806/5802 Fax: 86-755-2997-5992

PART NO. 3724MXXX125XXFX01

TITLE: 0.635mm 阵列式BTB NPin H12.55 Male

OPERATION		DRAW		SCALE		FIT	
XX	±0.30	yy	usheng	UNIT	mm	A4	1/1
X:XX	±0.20	CHECK		SIZE			
X:XXX	±0.10			SHEET	1/1		
REV	DATE	MODIFICATION DESCRIPTION	CHANGE	DIM	TOL	APPROVE	PROJ.
1							